

# Deluxe Rod Linear Actuators



## Standard Features and Benefits

- **Internal limit switches** automatically shut off the unit at the end of stroke
- **Standard stroke lengths** of 3, 6, 9, 12, 15, 18, 24, 30, 32, and 36 inches are available
- Delivers **100 lb. of force** at an extension speed of 3 inches per second
- **IP 66 rated** - dust proof and water resistant
- **Temperature operating range** of -15°F to 150°F ( -26°C to 65°C)
- **High grade aluminum housing** resists corrosion
- **Maintenance free**
- **CE and RoHS certified**

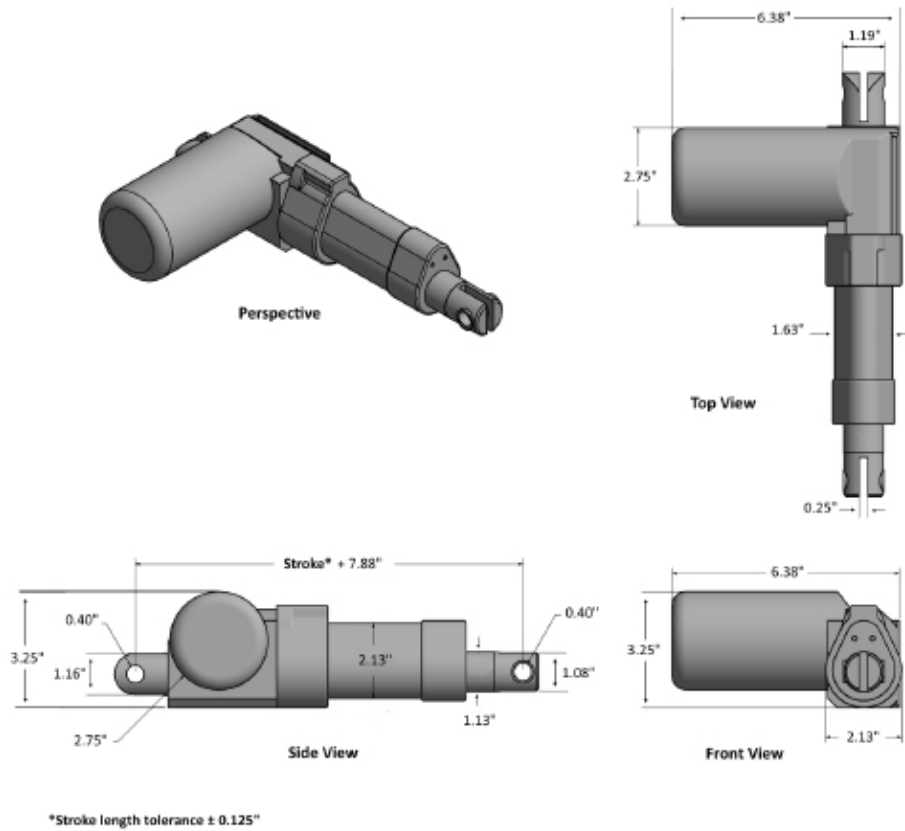
Deluxe Rod Linear Actuators are manufactured with a worm gear mechanism to provide quiet and fast operation. These durable and reliable actuators are available in various strokes and deliver 100 lbs. of force. With an extension rate of 3 inches per second the Deluxe Rod Actuator is our fastest actuator with 100 lb. of force.

## Specifications

<b>Model</b>	<b>FA-HF-100-12-XX</b>
<b>Dynamic Force</b>	100 lb
<b>Static Force</b>	180 lb
<b>Speed (inches/second)</b>	3 inches
<b>Duty Cycle</b>	20% at 100% load, 50% at 25% load, 5 min. continuous use
<b>Stroke Length</b>	3, 6, 9, 12, 15, 18, 24, 30, 32, and 36 inches
<b>IP Rating</b>	66
<b>Input</b>	12 volt DC
<b>Max Draw</b>	10 A
<b>Clevis End</b>	1/4" diameter
<b>Operational Temperature</b>	-15°F to 150°F (-26°C to 65°C)
<b>Limit Switch</b>	Built-in (factory preset)
<b>Safety Certifications</b>	CE, RoHS
<b>Brackets</b>	MB3 or MB3U

## Dimensions and Weight

Stroke	Retracted Length	Extended Length	Weight
3 "	10.88 "	13.88 "	5.0 lbs
6 "	13.88 "	19.88 "	5.5 lbs
9 "	16.88 "	25.88 "	5.9 lbs
12 "	19.88 "	31.88 "	6.3 lbs
15 "	22.88 "	37.88 "	6.5 lbs
18 "	25.88 "	43.88 "	7.25 lbs
24 "	31.88 "	55.88 "	8.1 lbs
30 "	37.88 "	67.88 "	9.0 lbs
32 "	39.88 "	71.88 "	9.3 lbs
36 "	43.88 "	79.88 "	9.9 lbs



## FA-HF-100-12-X

### Performance Graphs

